

# PRICE LIST

# JAI BALAJI



## DODIA ELECTRICALS

Address : 9/11, Picket 'X' Road, G.T. Building, Lohar Chawl, Mumbai - 400002.

Email id : sales@dodiaelectricals.com Whats App / Contact : +91 9833824773 / 022-22064807

Visit us at : www.dodiaelectricals.com




Ref : JAI / GC / 2017

Date : 18.08.2021

# JAI BALAJI

CONTROL GEARS PVT. LTD

Dear Sir,

At the outset, we thank you all for patronizing our products. As you are aware, our **JAI BALAJI** products are the **ONLY PRODUCTS** available in India with   &  Markings and **IP-67** Protection. We are also an **ISO 9001 : 2015** Certified company offering **QUALITY PLUS** Products at **MOST COMPETITIVE PRICE**. **JAI BALAJI** Products are manufactured making use of **UL Listed V2 Flame Retardant Grade 960°** Glow Wire Tested Anti corrosive Anti-Acid unbreakable **Engineering Plastic** and are fully insulated. Our wide range of products are **Illuminated Push Buttons, Pilot lights, Push Button Stations (Plastic & Metal) LED Electronic Module Indicating lights (16.5 mm & 22.5 mm dia) Electronic signal Tower lights (LED & BULB) Electronic Proximity Sensors (Photo Sensors, Diffuse, Thro' Beam, Colour mark, Inductive & Capacitive) Electronic Timer Din Rail (Analog & Digital) Electronic Digital Counter / Timer, Digital Meters AC / DC Voltmeter, Ammeter, Digital Panel Meters, Frequency Meters, Variety of Limit Switches, like BC-9, BC-9T, JW Micro Adjustable, CEE EM 45, Precision, Miniature Snap Action, Mini Limit Switches, Heavy Duty Limit Switches JB - 2700, Extra Heavy Duty JC-1125 Limit Switches, Explosion Proof EPHA Limit Switches, Foot Switches, Engineering Plastic Industrial Plug & Sockets, and Connectors Cam Operated Rotary Switches, variety of different sizes of Junction Boxes (Engineering Plastic & Metal ) and Telescopic Brushes, Pullcord, Beltsway, Zero speed switch & Rocker switch. Distribution Boxes, Pendent Pushbutton stations, CEE EM 45 Mini Limit Switch, Bus bar Indicator & Reed Magnetic Switch**

## DEALERS ENQUIRIES ARE SOLICITED

This supersedes all previous Price Lists, Prices are subject to change without prior notice, Prices at the time of supply will be applicable.

Your continued patronage and kind co-operation will be very much appreciated.

Thanking you and assuring you of our best services always.

Yours faithfully,

for   
CONTROL GEARS PVT. LTD

CHANAKYACHANDRAMOHAN

Encl : as above.

New No. 107, Sidco Industrial Estate

Post Box No. 27, Ambattur,

Chennai - 600 098. India

Phone : 0091 - 44 - 2625 1279

0091 - 44 - 2625 4469

0091 - 44 - 2625 4470

0091 - 44 - 2625 7174

0091 - 44 - 2625 7859

Fax : 0091 - 44 - 2625 5038

E-mail : dchandramohan@jaibalaji.firm.in

S.No.	List of Electronic Items	Page No
1	ISO Certificate	1
2	ISI Certificate	2-7
3	CSA Certificate	8-10
4	LED Module Indicating Lights	11
5	Rocker switch	12
6	Electronic Signal Tower light	13-14
7	Electronic mini tower light	14
8	Inductive Proximity switches	15-18
9	Capcitive Proximity switches	19-20
10	Photo electronic sensors	21-24
11	Analog Timer Digital Timer Din Rail	25
12	Electronic Digital counter Timer	26
13	AC Volt meter AC Ammeter	27
14	Electronic digital meter	28
15	Frequency meter	29
16	DC Ammeter	30
17	Electronic bus bar indicator	30
18	Pullcord & Belt sway Switches	31-32
19	Zero speed Switch	33

# CERTIFICATE

The Certification Body  
of TÜV SÜD South Asia Private Limited

certifies that

**JAIBALAJI**  
CONTROL GEARS PVT. LTD

**Jaibalaji Control Gears Pvt. Ltd**  
No. 107, Sidco Industrial Estate, Ambattur,  
Chennai - 600 098, INDIA

has implemented a Quality Management System  
in accordance with **ISO 9001:2015**

For Scope of

**Design, Manufacture and Supply of  
Electromechanical, Electronic Controlling, Signalling Devices and  
Switchgears for Engineering and Industrial Automation**

The certificate is valid From **2021-04-28** until **2024-03-21**

Subject to successful completion of annual periodic audits

The present status of this Certificate can be obtained on [www.tuvsud.com/en-in](http://www.tuvsud.com/en-in)

Further clarifications regarding the scope of this certificate may be obtained by consulting the certification body

Certificate Registration No. **99 100 02459**

Date of Initial certification: **2008-05-28**

Issue Date: **2021-04-28**



Rahul Kale

Head of Certification Body  
of TÜV SÜD South Asia Private Limited, **Mumbai**  
Member of TÜV SÜD Group





இந்திய தர நிர்ணய அமைவனம்

भारतीय मानक ब्यूरो  
BUREAU OF INDIAN STANDARDS

दक्षिणी क्षेत्रीय कार्यालय

: पोस्ट बॉक्स नं. 8290

सी. आई. टी. फोरम, चौथा क्रॉस रोड,

तरामनी, चेन्नै - 600 113.

Southern Regional Office : Post Box No. 8290

CIT Campus, IV Cross Road,

Taramani, Chennai - 600 113.

ANNEXURE TO ENDORSEMENT NO.16 DATED

20070206

1) LIMIT SWITCHES

RATED OPERATIONAL VOLTAGE : 415V  
RATED THERMAL CURRENT : 10A  
OPERATIONAL CURRENT : 1.5A(AC)  
RATED IMPULSE VOLTAGE : 1.5KV AC  
INSULATION VOLTAGE : 600V  
POLLUTION DEGREE : '2'  
IP CODE : IP 67  
UTILISATION CATEGORY : AC 15/DC 13  
CONDITIONAL SHORT CIRCUIT CURRENT : 100A  
DESIGNATION : A600/R300  
CONTACT ELEMENT : TYPE : ZA  
MECHANICAL DUTY CLASS : 3  
FREQUENCY OF OPERATIONAL CYCLES FOR ELECTRICAL DURABILITY : 300/HOUR

2) ROTARY SWITCHES:

UTILISATION CATEGORY : AC15  
RATED INSULATION VOLTAGE : 600V AC  
RATED IMPULSE VOLTAGE : 1.5KV AC  
RATED OPERATIONAL VOLTAGE : 415V AC,  
RATED FREQUENCY : 50Hz  
CORRESPONDING OPERATIONAL CURRENT : 1.8A, 2A, 4A, 6A, 8A, 10A  
CORRESPONDING THERMAL CURRENT : 7.5A, 12.5A, 20A, 32A, 40A, 80A  
POLLUTION DEGREE/CASE : 3/CASE A  
CLASS OF MECHANICAL DURABILITY : 3  
MATERIAL GROUP : III a

3) PUSH BUTTON SWITCH

UTILISATION CATEGORY : AC15  
RATED INSULATION VOLTAGE : 600V  
RATED IMPULSE VOLTAGE : 1.5KV AC  
RATED OPERATIONAL VOLTAGE : 415V AC, 50Hz  
RATED OPERATIONAL CURRENT : 1.8A  
RATED THERMAL CURRENT : 10A  
POLLUTION DEGREE/CASE : 3/CASE A  
CLASS OF MECHANICAL DURABILITY : 3  
DESIGNATION : A600/R300

  
DIRECTOR & HEAD (MARKS II)  
BIS, CHENNAI



இந்திய தர நிர்ணய அமைவனம்  
भारतीय मानक ब्यूरो  
BUREAU OF INDIAN STANDARDS

दक्षिणी क्षेत्रीय कार्यालय

: पोस्ट बॉक्स नं. 8290

सी. आई. टी. कैम्पस, चौथा क्रॉस रोड,  
तरामणी, चेन्नै - 600 113.

Southern Regional Office : Post Box No. 8290

CIT Campus, IV Cross Road,  
Taramani, Chennai - 600 113.

ANNEXURE TO ENDORSEMENT NO. 16 DATED 20030266

4) AC INDICATOR LIGHTS (BULB)

Rated operational voltage	24, 48, 110, 230 V AC
Rated voltage of light	24, 48, 110, 230 V AC
Rated voltage of lamp	24, 48, 130, 130 V AC
Rated power	2.0, 2.0, 2.6, 2.6 Watts Max
Rated thermal power for mounting on metal plate	2.6, 2.6, 2.6, 2.6 Watts Max
Rated thermal power for mounting on enclosure	2.6, 2.6, 2.6, 2.6 Watts Max
Colour	Yellow, red, amber, blue, green, black, white, clear (for type and designation and colour, please see the catalogue enclosed)
Fixing hole diameter	22.5 mm, 22.5 mm, 22.5 mm, 22.5 mm
Means of connection	Single pin type small miniature with baynet cap holder
Nature of current applied and its frequency	AC 50 cycles
Type of lamp socket	Small miniature baynet cap holder with Nylon 66 (Grade 30) protective cover

  
DIRECTOR & HEAD (MARKS II)  
BIS, CHENNAI

PAGE 2 OF 6



38  
இந்திய தர நிர்ணய அமைவனம்  
भारतीय मानक ब्यूरो  
BUREAU OF INDIAN STANDARDS

दक्षिणी क्षेत्रीय कार्यालय

: पोस्ट बॉक्स नं. 8290

सी. आई. टी. फोरम, चौथा क्रॉस रोड,

तरावणी, चेन्नै - 600 113.

Southern Regional Office : Post Box No. 8290

CIT Campus, IV Cross Road,

Taramani, Chennai - 600 113.

ANNEXURE TO ENDORSEMENT NO.16 DATED 20.03.2006

5) DC INDICATOR LIGHTS (BULB)

Rated operational voltage	24, 48, 110, 230 V DC
Rated voltage of light	24, 48, 110, 230 V DC
Rated voltage of lamp	24, 48, 130, 130 V DC
Rated power	2.2, 2.6, 2.6 Watts Max
Rated thermal power for mounting on metal plate	2.2, 2.6, 2.6 Watts Max
Rated thermal power for mounting on enclosure	2.2, 2.6, 2.6 Watts Max
Colour	Yellow, red, amber, blue, green, black, white, clear (for type and designation and colour, please see the catalogue enclosed)
Fixing hole diameter	22.5 mm, 22.5 mm, 22.5 mm, 22.5 mm
Means of connection	Single pin type holder small miniature with baynet cap holder
Nature of current applied and its frequency	DC
Type of lamp socket	Small miniature baynet cap holder with Nylon 66 (Grade 30) protective cover

DIRECTOR & HEAD (MARKS II)  
BIS, CHENNAI

PAGE 3 OF 6



38

இந்திய தர நிர்ணய அமைவனம்  
भारतीय मानक ब्यूरो  
BUREAU OF INDIAN STANDARDS

दक्षिणी क्षेत्रीय कार्यालय

: पोस्ट बॉक्स नं. 8290

सी. आई. टी. फोरम, चौथा क्रॉस रोड,

तरावणी, चेन्नै - 600 113.

Southern Regional Office : Post Box No. 8290

CIT Campus, IV Cross Road,

Taramani, Chennai - 600 113.

ANNEXURE TO ENDORSEMENT NO.16 DATED 2003.02.06

## 6) AC INDICATOR LIGHTS (LED - LIGHT EMITTING DIODE)

Rated operational voltage	12, 24, 48, 110, 230 V AC
Rated voltage of light	12, 24, 48, 110, 230 V AC
Rated voltage of LED	2.2, 2.2, 2.2, 2.2 V AC Max
Rated current/power	25 mA/300 mW
Rated thermal power for mounting on metal plate	25 mA/300 mW
Rated thermal power for mounting on enclosure	25 mA/300 mW
Colour	Yellow, red, amber, blue, green, black, white, clear (for type and designation and colour, please see the catalogue enclosed)
Fixing hole diameter	22.5 mm, 22.5 mm, 22.5 mm, 22.5 mm
Means of connection	Solder connection
Nature of current applied and its frequency	AC 50 cycles
Type of lamp socket	Nylon 66 (Grade GF 30) protective cover

  
DIRECTOR & HEAD (MARKS II)  
BIS, CHENNAI

PAGE 4 OF 6



இந்திய தர நிர்ணய அமைவனம்  
भारतीय मानक ब्यूरो  
BUREAU OF INDIAN STANDARDS

दक्षिणी क्षेत्रीय कार्यालय

: पोस्ट बॉक्स नं. 8290

सी. आई. टी. कॉम्प्लेक्स, चौथी क्रॉस रोड,  
तरामणी, चेन्नै - 600 113.

Southern Regional Office : Post Box No. 8290

CIT Campus, IV Cross Road,  
Taramani, Chennai - 600 113.

ANNEXURE TO ENDORSEMENT NO.16 DATED 2003.02.06

7) DC INDICATOR LIGHTS (LED - LIGHT EMITTING DIODE)

Rated operational voltage	12, 24, 48, 110, 230 V DC
Rated voltage of light	12, 24, 48, 110, 230 V DC
Rated voltage of lamp	2.2, 2.2, 2.2, 2.2 V DC Max
Rated current/power	25 mA/300 mW
Rated thermal power for mounting on metal plate	25 mA/300 mW
Rated thermal power for mounting on enclosure	25 mA/300 mW
Colour	Yellow, red, amber, blue, green, black, white, clear (for type and designation and colour, please see the catalogue enclosed)
Fixing hole diameter	22.5 mm, 22.5 mm, 22.5 mm, 22.5 mm
Means of connection	Solder connection
Nature of current applied and its frequency	DC
Type of lamp socket	Nylon 66 (Grade GF 30) protective cover

DIRECTOR & HEAD (MARKS II)  
BIS, CHENNAI





இந்திய தர நிர்ணய அமைவனம்  
भारतीय मानक ब्यूरो  
BUREAU OF INDIAN STANDARDS

दक्षिणी क्षेत्रीय कार्यालय

: पोस्ट बॉक्स नं. 8290

सी. आई. टी. कैम्पस, चौथ क्रॉस रोड,  
तरावणी, चेन्नै - 600 113.

Southern Regional Office : Post Box No. 8290


CIT Campus, IV Cross Road,  
Taramani, Chennai - 600 113.

ANNEXURE TO ENDORSEMENT NO.16 DATED 20030266

8) MINIATURE LIMIT SWITCH

Rated operational voltage	: 240 V AC, 50 Hz
Rated operational current	: 3 A
Rated thermal current	: 10 Amp
Utilization category	: AC 15
Rated insulation voltage	: 600 V AC
Rated insulation voltage	: 1500 V
Pollution degree	: 2
Rated conditional short circuit current	: 1000 A
Number of poles	: Single

\*\*\*\*\*

  
DIRECTOR & HEAD (MARKS II)  
BIS, CHENNAI

PAGE 6 OF 6

The company named below has been authorized by CSA to represent the products listed in this record as "CSA Certified" and to affix the CSA Mark to these products according to the terms and conditions of the CSA Service Agreement and applicable CSA program requirements (including additional Markings).

File No: 114811 0 000

Class No: 3211 87 INDUSTRIAL CONTROL EQUIPMENT Miscellaneous Apparatus  
- Certified to US Standards

## SUBMITTOR

4576887 M/s Jai Balaji & Co.  
89, Sidco Industrial Estate  
P.O. No. 27  
Ambattur  
Chennai, 600098  
India

## FACTORY

4576887 M/s Jai Balaji & Co.  
89, Sidco Industrial Estate  
P.O. No. 27  
Ambattur  
Chennai, 600098  
India

November 18, 2002 (Replaces: September 22, 1999)

- Rotary Switches, JRS-XX Series, Model Numbers and ratings are as follows:

Model No	Voltage	Current
JRS 9	400 V	6 A
JRS 18	400 V	10 A
JRS 27	400 V	16 A
JRS 45	400 V	25 A
JRS 63	400 V	32 A
JRS 81	400 V	40 A
JRS 90	400 V	63 A

- Limit Switches, JLS Series, JW Series, CEE EM 45 Series, the electrical ratings / mechanism / contacts are same for all the models and are as follows:

Model No	Contact Designation
JLS XXX	B300 / P600
JW XX	B300 / P600
CEE EM 45-XX	B300 / P600
JC XXXX	B300 / P600
JB XXXX	B300 / P600

Note: The suffixes -XXX indicate Model Numbers with different lever heads.

- Proximity Switches JB Series details are given below:

Model No	Type	DC Volts	DC Amps	AC Volts	AC Amp
JB 8 PILM	3 Wire DC	30 V DC	200 mA	--	--
JB 12 PIFM	3 Wire DC	30 V DC	200 mA	--	--
JB 18 PILM	3 Wire DC	30 V DC	200 mA	--	--
JB 30 PILM	3 Wire DC	30 V DC	200 mA	--	--
JB 36 AILM	2 Wire DC	--	--	230 V	300 mA
JB 50 PILM	2 Wire DC	30 V DC	200 mA	--	--

- Contact Switch Element for Push Buttons, Model Nos and Rating are as follows:

Model No	Contact Type	Designation	AC Rating	DC Rating
			Voltage/Current	Voltage/Current
JB1	N O	B300/P600	400 V/10 A	600 V/5 A
JB2	N C	B300/P600	400 V/10 A	600 V/5 A

● Pilot Lights

Model	Rated Voltage	Max Current mA
ML, PL	12 V, 24V, 48 V,	25 mA
	110 V ac/dc, 230 V ac and 220 V dc	
MB	12 V ac/dc	180 mA
	24 V ac/dc	80 mA
	48 V ac/dc	40 mA
	110 V ac/dc, 230 V ac and 220 V dc	25 mA

Note: These devices are certified as components only for use in other certified equipment where the suitability of the combination is determined by CSA International.

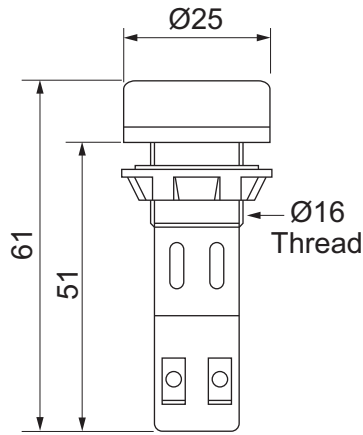
## ELECTRONIC ULTRA BRIGHT LED MODULE INDICATING LIGHTS Ø16.5mm and Ø22.5mm

WITH    MARKS

### CATALOGUE CUM PRICE LIST

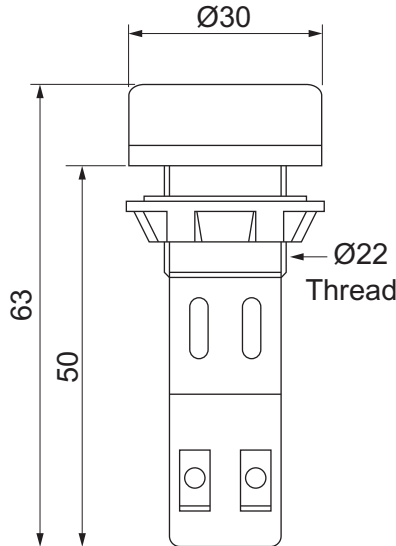
Best Illumination due to maximum LEDs.  
80% Energy Saving.  
Zero failure probability due to LED technology.  
Fits with 16.5 & 22.5 mm standard cutouts.  
Suitable for standard voltage ranges.

Non standard voltage ranges available on request.  
Immune to vibration and shock resistance.  
Rugged, Long lasting & Economic.  
Low voltage glow protection.



#### 16.5 mm Dia

	12/24/48V AC / DC	110V AC	230V AC	110/230V DC
YELLOW	Rs. 144	Rs. 144	Rs. 144	Rs. 144
RED	Rs. 144	Rs. 144	Rs. 144	Rs. 144
AMBER	Rs. 144	Rs. 144	Rs. 144	Rs. 144
BLUE	Rs. 144	Rs. 144	Rs. 144	Rs. 144
GREEN	Rs. 144	Rs. 144	Rs. 144	Rs. 144
WHITE	Rs. 144	Rs. 144	Rs. 144	Rs. 144



#### 22.5 mm Dia

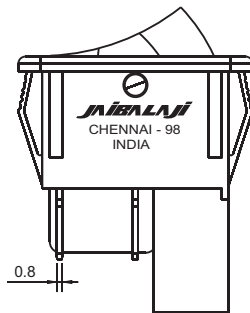
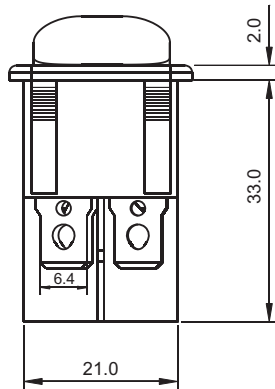
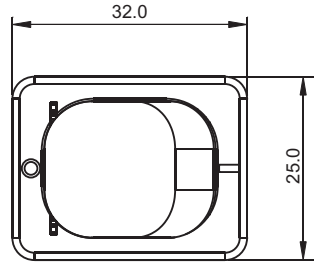
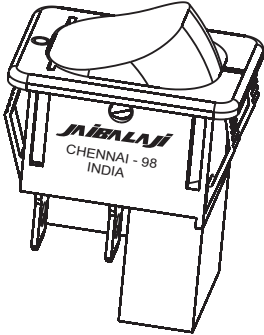
	12/24/48V AC / DC	110V AC	230V AC	110/230V DC
YELLOW	Rs. 162	Rs. 162	Rs. 162	Rs. 162
RED	Rs. 162	Rs. 162	Rs. 162	Rs. 162
AMBER	Rs. 162	Rs. 162	Rs. 162	Rs. 162
BLUE	Rs. 162	Rs. 162	Rs. 162	Rs. 162
GREEN	Rs. 162	Rs. 162	Rs. 162	Rs. 162
WHITE	Rs. 162	Rs. 162	Rs. 162	Rs. 162

All above LED modules with low voltage glow protection add Rs.117/- each extra. LED module Universal voltage 24-240V AC/DC (Yellow, Red, Amber, Blue, Green, White) -Rs.234/- each extra.

# **JAIBALAJI**

## **ROCKER INDICATOR SWITCH**

### **CATALOGUE CUM PRICE LIST**



#### **MATERIALS :**

Body	Nylon 6/6 (UL 94V-2)
Rocker	Polycarbonate (UL 94V-2)
Contact surface	Silver
Terminal	Silver Plated Brass
Illuminated rocker	LED

#### **SPECIFICATIONS :**

Contact rating	16A, 250V AC resistive 20A, 125V AC motor
Bezel size	32mm x 25mm
Panel cut out	30mm x 22mm
Length behind bezel	33.0mm (including terminals)

#### **GENERAL CHARACTERISTICS :**

Operating temperature	-30°C to 50°C
Safety standard approval	UL 1054
Available options	red, amber, orange, green, white and blue
Switch Type	DPST

	<b>230V,110V,48V,24V AC OR DC</b>
YELLOW	<b>MRP Rs. 67.50</b>
RED	<b>MRP Rs. 67.50</b>
AMBER	<b>MRP Rs. 67.50</b>
BLUE	<b>MRP Rs. 67.50</b>
GREEN	<b>MRP Rs. 67.50</b>
WHITE	<b>MRP Rs. 67.50</b>

#### **LIFE EXPECTANCY**

Mechanical	30000 Cycles
Electrical	10000 Cycles
Contact resistance	20 mOhm max, initial @ 2-4V DC
Insulation resistance	>10000 mOhm

Illuminated rocker switch is easier to find in the dark. Indicator lights allow users to see the state of the switch.

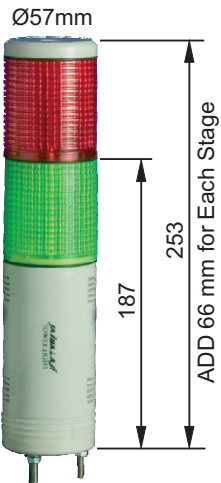
#### **Typical Applications**

Cars  
Boats  
Military goods  
Aircrafts  
Coffee Maker  
Rice Cooker

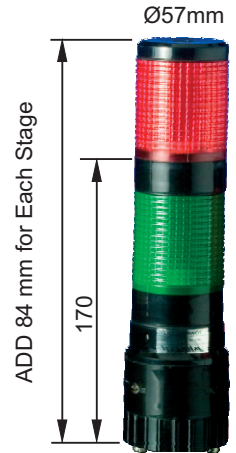
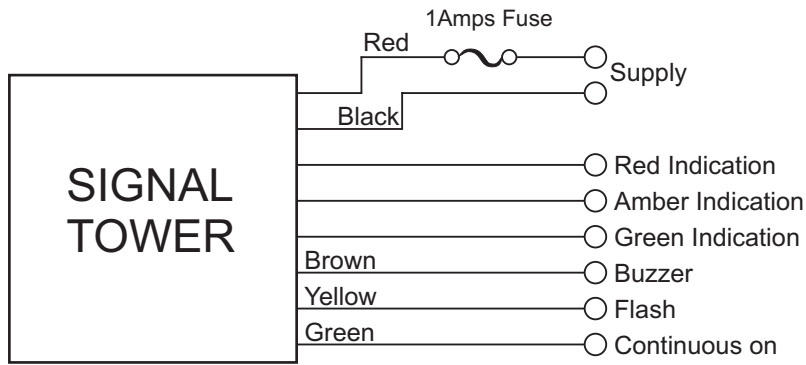
**JAIBALAJI**  
CONTROL GEARS PVT. LTD

Post Box No. 27, 89 (New No. 107),SIDCO Industrial Estate,Ambattur, Chennai -600 098. India  
Phone: +91 44 26251279 / 26257859 / 26254470 Fax: +91 44 26255038.  
E-mail: dchandramohan@jaibalaji.firm.in Web: jaibalaji.in

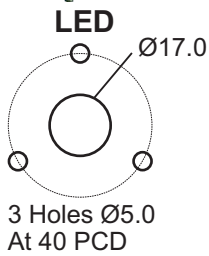
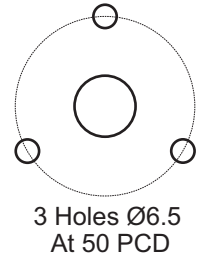
## ELECTRONIC LED SIGNAL TOWER LIGHT CATALOGUE CUM PRICE LIST



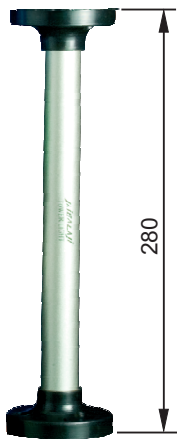
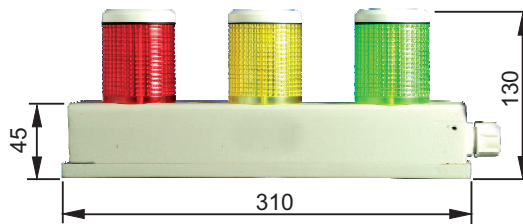
### CONNECTION DIAGRAM



### BULB

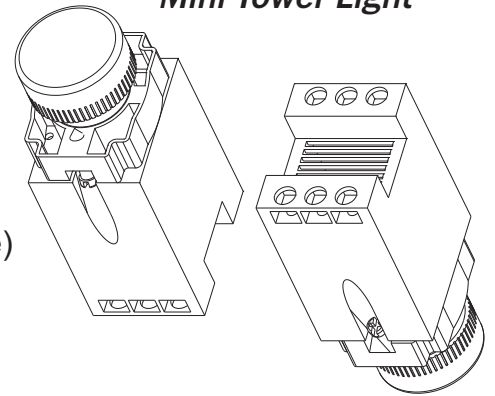


### Bus Bar Indicator



Single	Red
Double	Red , Green
Triple	Red , Yellow , Green
Four	Red , Yellow , Green, (White or Blue)
Five	Red , Yellow , Green, Blue, White

### Mini Tower Light



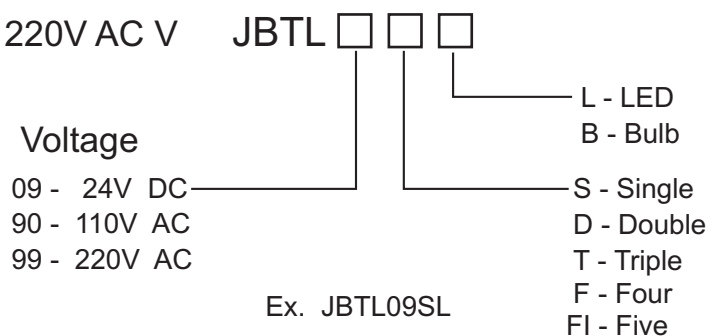
### TECHNICAL SPECIFICATION

Voltage Range - 24V AC/DC 110V AC, 220V AC V

### POWER

	LED	Bulb
Single	4W	5 / 10W
Double	6W	10 / 20W
Triple	8W	15 / 30W

### ORDERING CODE



# **JAIBALAJI ELECTRONIC LED SIGNAL TOWER LIGHT**

## 230V AC with Flash & Buzzer

<u>Sl. No</u>	<u>Type No.</u>	<u>Stack</u>	<u>Standard Color</u>	<u>M.R.P Each RS.</u>
1.	JBTL 99 SL (FB)	Single	Red	1926
2.	JBTL 99 DL (FB)	Double	Red, Green	2565
3.	JBTL 99 TL (FB)	Triple	Red, Yellow, Green	2988
4.	JBTL 99 FL (FB)	Four	Red, Yellow, Green, (White or Blue)	3600
5.	JBTL 99 FIL (FB)	Five	Red, Yellow, Green, Blue, White	4248

## 230V AC without Flash with Buzzer

<u>Sl. No</u>	<u>Type No.</u>	<u>Stack</u>	<u>Standard Color</u>	<u>M.R.P Each RS.</u>
1.	JBTL 99 SL (B)	Single	Red	1557
2.	JBTL 99 DL (B)	Double	Red, Green	2151
3.	JBTL 99 TL (B)	Triple	Red, Yellow, Green	2637
4.	JBTL 99 FL (B)	Four	Red, Yellow, Green, (White or Blue)	3105
5.	JBTL 99 FIL (B)	Five	Red, Yellow, Green, Blue, White	3861

## 24V DC with Flash & Buzzer

<u>Sl. No</u>	<u>Type No.</u>	<u>Stack</u>	<u>Standard Color</u>	<u>M.R.P Each RS.</u>
1.	JBTL 09 SL (FB)	Single	Red	1683
2.	JBTL 09 DL (FB)	Double	Red, Green	2277
3.	JBTL 09 TL (FB)	Triple	Red, Yellow, Green	2574
4.	JBTL 09 FL (FB)	Four	Red, Yellow, Green, (White or Blue)	3600
5.	JBTL 09 FIL (FB)	Five	Red, Yellow, Green, Blue, White	4140

## 24V DC without Flash with Buzzer

<u>Sl. No</u>	<u>Type No.</u>	<u>Stack</u>	<u>Standard Color</u>	<u>M.R.P Each RS.</u>
1.	JBTL 09 SL (B)	Single	Red	1278
2.	JBTL 09 DL (B)	Double	Red, Green	1926
3.	JBTL 09 TL (B)	Triple	Red, Yellow, Green	2439
4.	JBTL 09 FL (B)	Four	Red, Yellow, Green, (White or Blue)	3276
5.	JBTL 09 FIL (B)	Five	Red, Yellow, Green, Blue, White	3861

## 110V AC with Flash & Buzzer

<u>Sl. No</u>	<u>Type No.</u>	<u>Stack</u>	<u>Standard Color</u>	<u>M.R.P Each RS.</u>
1.	JBTL 90 SL (FB)	Single	Red	2331
2.	JBTL 90 DL (FB)	Double	Red, Green	2853
3.	JBTL 90 TL (FB)	Triple	Red, Yellow, Green	3348
4.	JBTL 90 FL (FB)	Four	Red, Yellow, Green, (White or Blue)	4005
5.	JBTL 90 FIL (FB)	Five	Red, Yellow, Green, Blue, White	4599

## 110V AC without Flash with Buzzer

<u>Sl. No</u>	<u>Type No.</u>	<u>Stack</u>	<u>Standard Color</u>	<u>M.R.P Each RS.</u>
1.	JBTL 90 SL (B)	Single	Red	2052
2.	JBTL 90 DL (B)	Double	Red, Green	2565
3.	JBTL 90 TL (B)	Triple	Red, Yellow, Green	3096
4.	JBTL 90 FL (B)	Four	Red, Yellow, Green, (White or Blue)	3627
5.	JBTL 90 FIL (B)	Five	Red, Yellow, Green, Blue, White	4248

Sl. No	<b>ELECTRONIC MINI TOWER LIGHT 22.5 MM</b>	M.R.P. Each RS.
1.	LED Indicating with Flash and Buzzer Red Colour	531
2.	LED Indicating with Flash and Buzzer Amber Colour	531
3.	LED Indicating with Flash and Buzzer Yellow Colour	531
4.	LED Indicating with Flash and Buzzer Green Colour	531
5.	LED Indicating with Flash and Buzzer White Colour	531
6.	LED Indicating with Flash and Buzzer Blue Colour	531



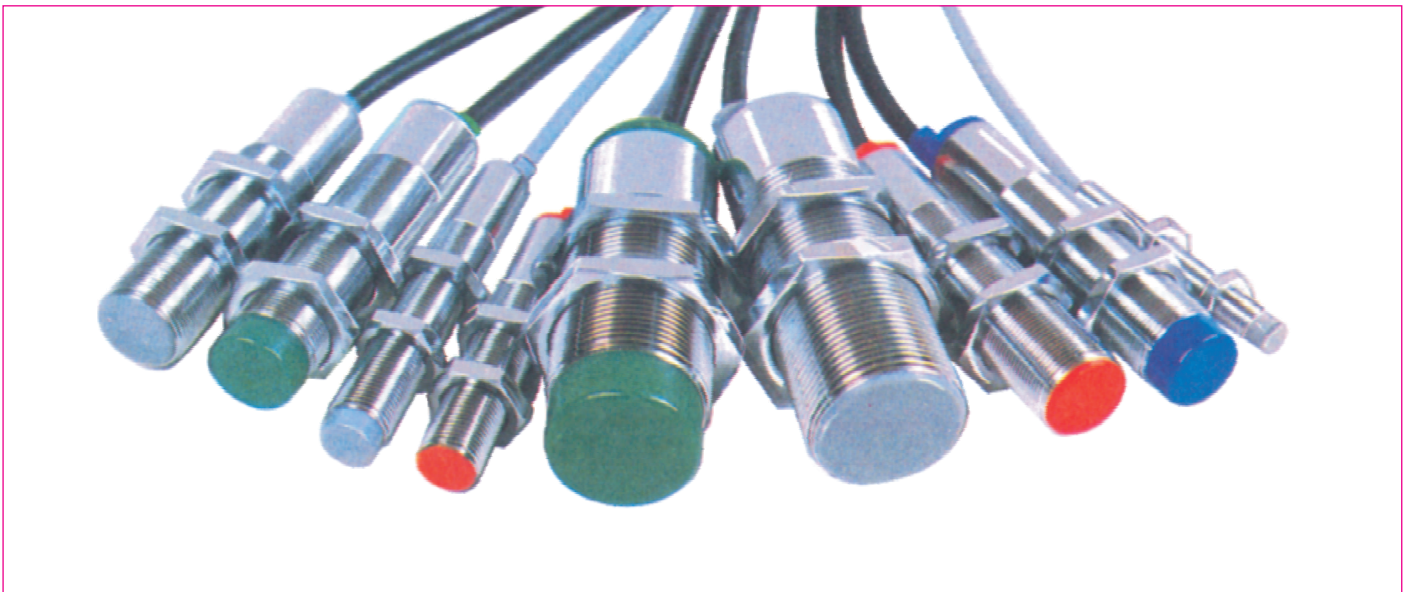




RECOGNITION OF *Quality Plus*

# INDUCTIVE PROXIMITY SWITCHES

CATALOGUE CUM PRICE LIST



**FEATURES:**

- \* REF : STANDARD IEC 947-5-2
- \* REVERSE POLARITY PROTECTION
- \* SHORT CIRCUIT PROTECTION
- \* OVERLOAD PROTECTION
- \* FALSE PULSE DURING
- \* POWER ON/OFF PROTECTION
- \* NOISE SUPPRESSION

**JAIBALAJI** India's ONLY manufacturers of ISI Limit Switches has another range of high quality Inductive Proximity sensors with

# INDUCTIVE PROXIMITY SWITCHES

REF : STANDARD : IEC 947-5-2

Inductive Proximity switches are used to identify the presence of metal objects, speed measurements, position sensing, counting etc., without any physical contact with the objects. It enhances the durability of the switch and ensures maintenance free work.

Inductive Proximity switch generates high frequency alternating field at the active face by the oscillator circuit. When any metal object is brought into the field it causes oscillation to stop. Hence the demodulated voltage feeding the trigger disappears.

## DC Inductive Proximity Switches:

For DC switches the trigger operates rapidly when oscillation stops. This trigger switches the O/P, NPN/PNP transistor to drive an electronic circuit or relay.

## AC Inductive Proximity Switches:

For AC switches a thyristor is triggered when oscillation stops. This thyristor is connected in series with a bridge and this series combination is connected to the AC load.

## APPLICATIONS:

- AUTOMOBILE INDUSTRIES
- STEEL INDUSTRIES
- PACKAGING INDUSTRIES
- METAL HANDLING EQUIPMENT
- PROCESS AUTOMATION
- CNC / NC MACHINES
- CONVEYOR EQUIPMENT ETC.,



Resonant circuit oscillator stop when metal is sensed

Demodulator converts oscillator signal to DC voltage level

Trigger changes condition when oscillator stops

Output amplifier to drive load

## DC SWITCHES SPECIFICATIONS

Reference: STANDARD : IEC 947-5-2

Nominal Voltage	10 - 30 VDC
Voltage Drop	0.8 - 7 V*
Load Current	300 mA *
No Load Current	10 - 20 mA *
Switching Frequency	200 HZ **
Ambient Temperature	-25° C To +60° C
Hysteresis	≤15%
Sensing Distance Tolerance	±10%

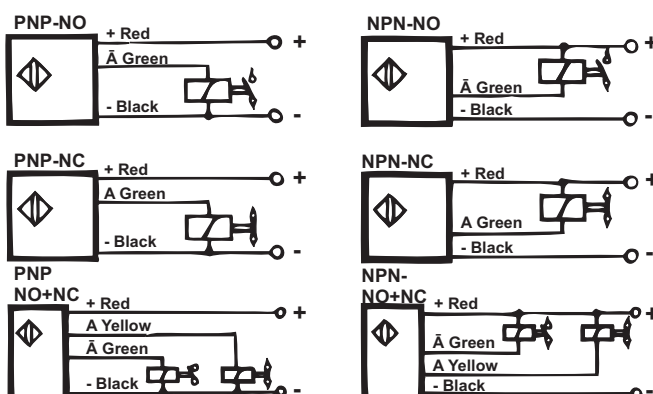
## AC SWITCHES SPECIFICATIONS

Reference: STANDARD : IEC 947-5-2

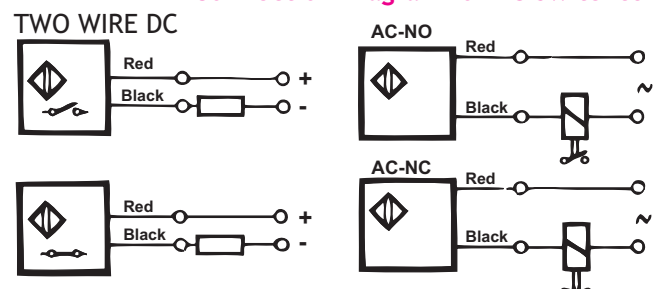
Nominal Voltage	90 - 250 VAC
Voltage Drop	8 V
Load Current	500 mA Max
No Load Current	5 mA
Switching Frequency	15 HZ Max **
Ambient Temperature	-25° C To +60° C
Hysteresis	≤15%
Sensing Distance Tolerance	±10%

- . Specification Varies depending on Switch Type.
- .. Specification Varies depending on Switch Size & Range.

## Connection Diagram for DC Switches



## Connection Diagram for AC Switches



# INDUCTIVE PROXIMITY SWITCHES

## TECHNICAL SPECIFICATIONS

DIMENSIONS in mm

MODEL	HOUSING	FLUSH / NON-FLUSH	MOUNTING THREAD	L1	L2	L3	NUT	ELECTRICAL TYPE	LED	SENSING DISTANCE Sn	TYPE OF PROTECTION
JB 8	M	F	8X1	35	60		14	PN	-	1	IP 67
JB 8	S	L	8X1	40	65		14	PN	-	1.5	IP 67
JB 12	M	L	12X1	45	65	5	17	PN	✓	4	IP 67
JB 12	M	F	12X1	55	75		17	PN	✓	2	IP 67
JB 12	S	L	12X1	50	70	3	17	PN	✓	4	IP 67
JB 18	S	L	18X1	55	75	7	24	TPNBA	✓	8	IP 67
JB 18	M	L	18X1	50	70	7	24	TPNBA	✓	8	IP 67
JB 18	M	F	18X1	55	75		24	TPNBA	✓	5	IP 67
JB 30	S	L	30X1.5	55	75	12	36	TPNBA	✓	15	IP 67
JB 30	M	L	30X1.5	45	65	12	36	TPNBA	✓	15	IP 67
JB 30	M	F	30X1.5	55	75		36	TPNBA	✓	10	IP 67
JB 36	M	L	36X1.5	45	65	20	44	TPNBA	✓	20	IP 67
JB 36	M	F	36X1.5	45	65		44	TPNBA	✓	15	IP 67
JB 50	M	L	50X1.5	40	60	16	57	TPNBA	✓	25	IP 67
JB 50	M	F	50X1.5	40	60		57	TPNBA	✓	20	IP 67

(NOTE :- STANDARD WIRE LENGTH PROVIDED - 2 MTS ONLY)

M-METAL  
S-SYNTHETIC  
F-FLUSH  
L-NON-FLUSH  
P-PNP

N-NPN

PN-THREE WIRE DC  
T-TWO WIRE DC

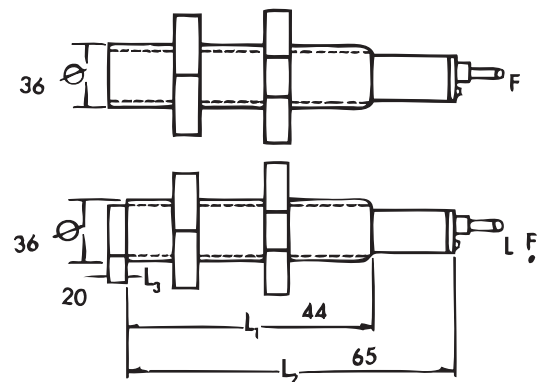
B-FOUR WIRE DC (NO + NC)

A-TWO WIRE AC

P<sub>1</sub> - PNP NO  
P<sub>2</sub> - PNP NC  
N<sub>1</sub> - NPN NO  
N<sub>2</sub> - NPN NC

T<sub>1</sub> - 2 WIRE NO  
T<sub>2</sub> - 2 WIRE NC  
B<sub>1</sub> - PNP NO + NC  
B<sub>2</sub> - NPN NO + NC  
A<sub>1</sub> - AC NO  
A<sub>2</sub> - AC NC

DIMENSIONS in mm



### ORDERING CODE

Model. \_\_\_\_\_  
Electrical Type T.P.N.B.A \_\_\_\_\_  
Flush - F/ Non Flush - L \_\_\_\_\_  
Housing (Metal-M / Synthetic-S) \_\_\_\_\_

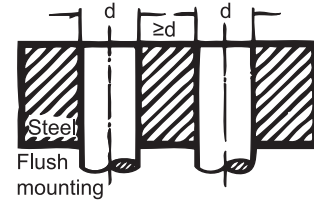
JB ET F/L M/S

Eg.: JB 18 T1 L S  
JB 18 T2 FL M

Model denotes the size

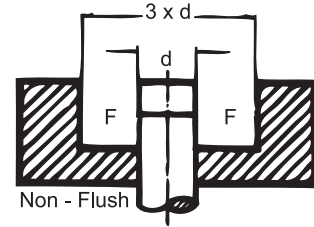
### FLUSH MOUNTING IN METAL:

A proximity switch can be flush mounted in metal if it can be surrounded by metal up to the level of the active face, without changing its present characteristics. In order to avoid interference when mounting side by side, a spacing distance, corresponding to the diameter of the switch must be maintained.



### NON FLUSH MOUNTING :

A proximity switch can be flush mounted in metal if zone is required for maintaining the characteristic values of the switch. A clear zone of 3x the diameter of the sensing surface should be maintained.



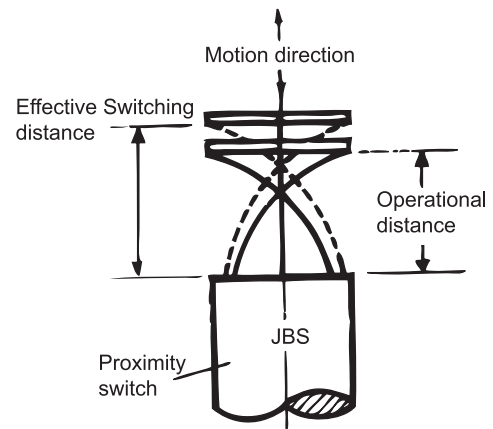
F - Clear zone containing only material that is non-conducting and has no magnetic properties

### EFFECTIVE SWITCHING DISTANCE:

It is the switching distance when voltage and temperature can be at any value within the rating of the switch and this will be between 81 & 121% of switching distance.

### OPERATIONAL DISTANCE:

It is the distance at which the operation of the proximity switch, under stated temperature and voltage conditions is guaranteed within 0 and 81% of the nominal switching distance.



### SOME IMPORTANT CORRECTION FACTORS:

#### WHEN TARGET MATERIAL IS NOT STEEL

Chrome - nickel	approx. 0.9 x Sn
Brass	approx. 0.5 x Sn
Aluminium	approx. 0.4 x Sn
Copper	approx. 0.4 x Sn

### PRICE LIST

3 Wire DC -PN Which includes: P1-PNP-NO, P2-PNP-NC & N1-NPN-NO, N2-NPN-NC		4 Wire DC - B B1- PNP- NO + NC & B2 - NPN - NO + NC		2 Wire DC - T T1 - NO & T2 - NC		2 Wire AC - A A1 - NO & A2 - NC	
JAIBALAJI Code	M.R.P. Rs.	JAIBALAJI Code	M.R.P. Rs.	JAIBALAJI Code	M.R.P. Rs.	JAIBALAJI Code	M.R.P. Rs.
JB 8 PN	963	JB 12 B	846	JB 18 T	846	JB 12 A	963
JB 12 PN	729	JB 18 B	873	JB 30 T	1080	JB 18 A	846
JB 18 PN	720	JB 30 B	1080	JB 36 T	1179	JB 30 A	1080
JB 30 PN	873	JB 36 B	1179	JB 50 T	1305	JB 36 A	1179
JB 36 PN	945	JB 50 B	1305			JB 50 A	1305
JB 50 PN	1206						



Post Box No. 27, 89 (New No. 107),SIDCO Industrial Estate,Ambattur, Chennai -600 098. India  
Phone: +91 44 26251279 / 26257859 / 26254470 Fax: +91 44 26255038.  
E-mail: dchandramohan@jaibalaji.firm.in Web: jaibalaji.in

# MIBALAJI

## CAPACITIVE PROXIMITY SWITCHES

### CATALOGUE CUM PRICE LIST

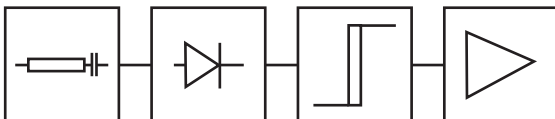


India's ONLY manufacturer of ISI marked Limit Switches has another range of high quality Capacitive Proximity Switches

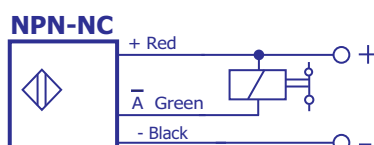
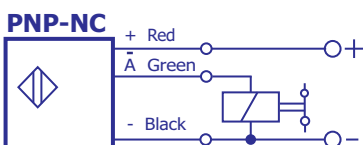
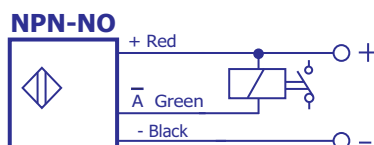
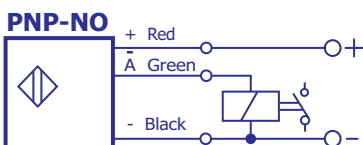
Capacitive Proximity Switches serves as a contactless sensors for positioning, monitoring and detecting all types of material. Capacitive Proximity Switch consists of an Oscillator, a Rectifier and an Amplifier. The capacitance between the sensing surface and mass increases when an object approaches active surface. When the capacitance value exceeds the preset level, oscillator generates AC signals. The Rectifier section converts this AC signal into DC and Amplifier amplifies this signal to drive a relay or a circuit.

### APPLICATIONS

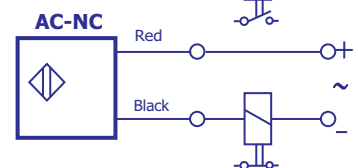
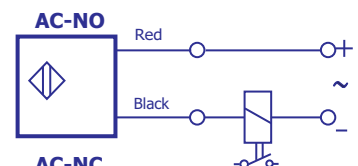
- Packaging Industries
- Chemical Industries
- Automobile Industries
- Wood Working Machinery



### Connection Diagram for DC Switches



### Connection Diagram for AC Switches





# CAPACITIVE PROXIMITY SWITCHES

## SPECIFICATIONS

DC Switches		AC Switches	
Supply Voltage	10 - 30 V	Supply Voltage	90 - 250 V
Voltage Drop	≤ 1.5 V	Voltage Drop	≤ 15 V
Load Current	250 mA	Load Current	250 mA
Switching Frequency	200 Hz	Switching Frequency	5 Hz
Hysteresis	≤ 25%	Hysteresis	≤ 25%
Sensing Distance	8 - 15 mm*	Sensing Distance	8 - 15 mm*
Ambient Temperature	0 - 70 °C	Ambient Temperature	0 - 70 °C
Protection	IP 65	Protection	IP 65
Sensitivity Adjustment	Through Potentiometer	Sensitivity Adjustment	Through Potentiometer

\* Sensing range depends on materials and surrounding environment

Model	Housing	Size	Type
JBC 18	M/S	M18 X 75	D
JBC 30	M/S	M30 X 75	A,D

D	- DC	A	- AC
D <sub>1</sub>	- PNPNO	A <sub>1</sub>	- ACNO
D <sub>2</sub>	- PNPNC	A <sub>2</sub>	- ACNC
D <sub>3</sub>	- NPNNO		
D <sub>4</sub>	- NPNNC		

### CORRECTION FACTOR

Metal	1.0
PVC	0.6
Glass	0.5
Water	1.0
Oil	0.2
Wood	0.2

To achieve the optimum performance each switch has to be adjusted for the working environment. If the object is a conductive material, it needs proper earthing.

### REED MAGNETIC SWITCH (CODE: JBRM)

Reed magnetic switch contains a reed switch and a magnet enclosed in a separate housing. When the magnet passes nearby the reed switch it changes the output contact.

### PRICE LIST

S.No.	JAIBALAJI Code	M.R.P. Rs.
1	<b>JBCD 18</b>	<b>1323</b>
2	<b>JBCD 30</b>	<b>1458</b>
3	<b>JBCD 36</b>	<b>1485</b>
4	<b>JBCD 50</b>	<b>1575</b>

### SPECIFICATION

Enclosure	Aluminium or Plastic
Sensing distance	20mm Max.
Switching frequency	1Hz
Temperature	0 - 100 °C
Output contact	NO or NC
Contact rating	200 mA
Protection	P 67

\*Potential free contacts suitable for voltage upto 220V AC



Post Box No. 27, 89 (New No. 107),SIDCO Industrial Estate,Ambattur, Chennai -600 098. India  
Phone: +91 44 26251279 / 26257859 / 26254470 Fax: +91 44 26255038.  
E-mail: dchandramohan@jaibalaji.firm.in Web: jaibalaji.in

# PHOTO ELECTRONIC SENSORS



## PHOTO ELECTRONIC SENSORS

### CATALOGUE CUM PRICE LIST



India's ONLY manufacturer of ISI marked Limit Switches has another range of high quality Photo Electronic Sensors

- Long detecting distance
- Stable detection
- External light security
- Accurate sensitivity setting
- Short circuit protection
- Reverse polarity protection
- False pulse during power on / off protection



# PHOTO ELECTRONIC SENSORS

**Photo Electronic Sensors are used to sense all kinds of objects at higher sensing distance compared to Inductive Proximity Switches and Capacitive Proximity Switches.**

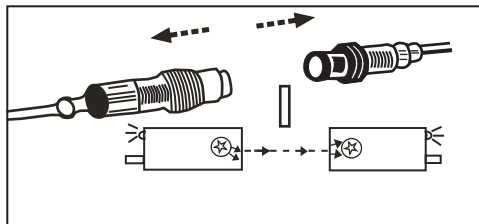
## APPLICATIONS

- Door opening devices
- Packaging machines
- Wood working machines
- Machine tools
- Process automation
- Plastic forming machines
- Textile machinery
- Conveyor equipment

Photo Electronic Sensor consists of an Emitter, a Receiver and an Amplifier. Pulsed Infra-Red light beam is generated by the Emitter. This effective beam is reflected either by an object or by a reflector (depending on the type of sensor) and it returns to the receiver. The receiver converts the reflected incoming light signal into electrical signal, and the built-in amplifier amplifies the electric signal. The amplified signal drives output transistor (either NPN OR PNP) which in turn drives an Electronic circuit or a relay. Either of the following three types of Photo Electronic Sensors can be used to sense an object based on their sizes and colours.

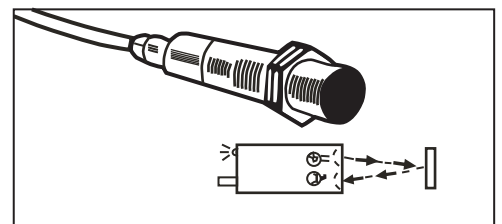
### Thru Beam Type:

Emitter and Receiver are enclosed in different housing. The beam from the Emitter directly reaches the Receiver. Any interruption in the beam results in switching action.



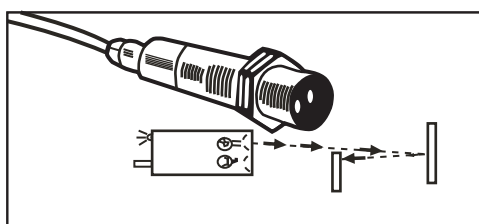
### Diffuse Reflective Type:

Both Emitter and Receiver are enclosed in a single housing. Infra-red light beam from emitter is reflected by an object. This reflected beam causes a change in receiver and produces an output signal.



### Retro Reflective Type:

Emitter and Receiver are enclosed in a single housing and are aligned with a reflector. A continuous beam of light from the reflector reaches the receiver. Any interruption in the beam will result in an output signal from the receiver.





# P H O T O ELECTRONIC S E N S O R S

## ELECTRICAL DATA

Specifications	DC Switches	AC Switches
Supply Voltage	10- 30 V	90 - 230 V
Voltage Drop	≤ 2.5 V	≤ 8 V
Load Current	200 mA	200 mA
Switching Frequency	25 Hz	5 Hz
Hysteresis	≤ 5%	≤ 15%
Ambient Temperature	0° C to 50° C	0° C to 50° C

AC Switches are available in JBT 30 only.

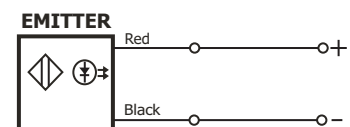
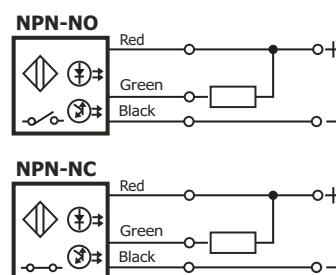
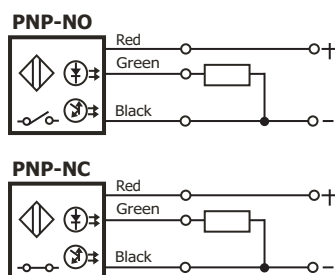
## TECHNICAL DATA

Model	Housing	Size	Range		LED	Sensitivity Adjustment	Protection
JBD 18	M/S	M18 x 75	100mm	DF	✓	✓	IP 67
JBD 30	M/S	M30 x 75	300mm	DF	✓	✓	IP 67
JBR 18	M/S	M18 x 75	400mm	DF	✓	✓	IP 67
JBR 30	M/S	M30 x 75	1000mm	DF	✓	✓	IP 67
JBT 18	M/S	M18 x 75	5000mm	DF	✓	✓	IP 67
JBT 30	M/S	M30 x 75	10000mm	ADF	✓	✓	IP 67

(Note: Standard wire length provided - 2 mts only)

- D - Three wire DC
- D<sub>1</sub> - PNP-NO
- D<sub>2</sub> - PNP-NC
- D<sub>3</sub> - NPN-NO
- D<sub>4</sub> - NPN-NC
- F - Four wire DC
- F<sub>1</sub> - PNP NO+NC
- F<sub>2</sub> - NPN NO+NC
- A - Two wire AC
- A<sub>1</sub> - AC-NO
- A<sub>2</sub> - AC-NC

## Connection Diagram



Dimensions in mm

# P H O T O E L E C T R O N I C S E N S O R S

## Correction Factor:

White Paper	1
Metal glossy	1.1 to 1.6
Al. Black anodised	1.1 to 1.6
PVC	0.5
Wood	0.4
White Cotton Cloth	0.6

## Colour Mark Sensor:

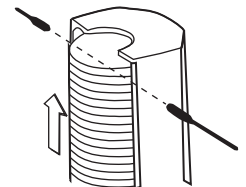
These sensors are mainly used to differentiate Light and Dark colours. Emitter and Receiver are enclosed in a single housing. The transmitted light beam is reflected by the light colour and it returns to the receiver. When the dark colour mark enters into this light beam, the receiver senses the changes in colour by reflection.

## Colour Mark Sensor Code:

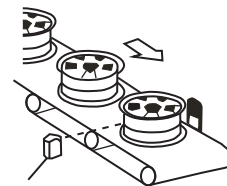
JBE 18 PNP/NPN NO/NC

- Photo Electronic Fork Sensors are also available.

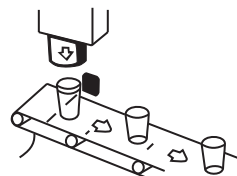
## Applications:



WAFER RACK POSITIONING



DETECTION OF  
AUTOMOBILE WHEEL PASSAGE



DETECTION OF  
DOUBLE-FED PLASTIC CUPS

## PRICE LIST

DIFFUSE TYPE (JBD)			RETRO REFLECTIVE (JBR)		
JAIBALAJI Code	RANGE	M.R.P. Rs.	JAIBALAJI Code	RANGE	M.R.P. Rs.
JBD 18	100 mm	1818	JBR 18	400 mm	1917
JBD 30	300 mm	1917	JBR 30	1000 mm	2016
THRO' BEAM (JBT)			COLOUR MARK SENSOR (JBE)		
JAIBALAJI Code	RANGE	M.R.P. Rs.	JAIBALAJI Code	RANGE	M.R.P. Rs.
JBT 18	5000 mm	1917	JBE 18	8-10 mm	1665
JBT 30	10000 mm	2016	JBE 30	12-15 mm	1728

Mains operated Power supply with single change over contact (6A) - Rs.1125 Each

Standard wire length provided - 2Mtrs. only. Rs. 117/- Each per meter will be charged for extra cables.

Connector Type Rs. 855/- extra

**JAIBALAJI**  
CONTROL GEARS PVT. LTD

Post Box No. 27, 89 (New No. 107), SIDCO Industrial Estate, Ambattur, Chennai -600 098. India

Phone: +91 44 26251279 / 26257859 / 26254470 Fax: +91 44 26255038.

E-mail: dchandramohan@jaibalaji.firm.in Web: jaibalaji.in

**ANALOG TIMER :**

MODEL	TIME RANGES	MODES	SUPPLY VOLTAGE	RELAY CONTACT	M.R.P. EACH. RS.
SVM 330	3/30 SEC/MIN	ON DELAY	230V AC*	1 C/O**	Rs. 810.00
SVM 660	6/60 SEC/MIN	INTERVAL			
SVH 330	3/30 MIN/HOUR	EQUAL CYCLIC ON FIRST			
SVH 660	6/60 MIN/HOUR	EQUAL CYCLIC OFF FIRST			
AVM 330	3/30 SEC/MIN	ALL MODES ARE USER SELECTABLE	24-240V AC/DC	1 C/O	Rs.1035.00
AVM 660	6/60 SEC/MIN				
AVH 330	3/30 MIN/HOUR				
AVH 660	6/60 MIN/HOUR				
UEC 660	6/60 SEC/MIN/HOUR	UNEQUAL CYCLIC ON FIRST UNEQUAL CYCLIC OFF FIRST	230V AC*	1 C/O**	Rs.846.00
FR 009	ON TIME 6/60 SEC/MIN PAUSE TIME 6/60 SEC	FORWARD / REVERSE	230V AC*	1 C/O	Rs.954.00
RC 660	RUN TIME 6/60 SEC/MIN TRANSFER TIME 40/100 ms	STAR DELTA	230V AC*	1 C/O	Rs.954.00

\* Other voltage ranges are also available as per customer requirement.

\*\* For 2 No + 2 NC add Rs. 135/- extra

**DIGITAL TIMER - DIN RAIL :**

MODEL	TIME RANGES	MODES	SUPPLY VOLTAGE	RELAY CONTACT	M.R.P. EACH. RS.
DC - 99	0.1 SEC to 99 HRS	ON DELAY	24-240V AC/DC	1 C/O	Rs.1188.00
		INTERVAL			
		EQUAL CYCLIC ON FIRST			
		EQUAL CYCLIC OFF FIRST			
		ALL MODES ARE USER SELECTABLE		2 C/O	Rs.1350.00



	<b>MODEL</b>	<b>TIME RANGES</b>	<b>MODES</b>	<b>SUPPLY VOLTAGE</b>	<b>RELAY CONTACT</b>	<b>M.R.P. EACH.</b>
1.	DC-99S	Star: 0.1 sec-99 min Pause Time : 40-99 msec.	Star - Delta	24V-265V, AC / DC	2 NO, 2A @250V AC	Rs.1188.00
2.	DC-99F	F/R : 0.1 sec-99 min Pause : 01sec - 99-min.	Forward / Reverse	24V-265V, AC / DC	2NO, 2A @250V AC	Rs.1188.00
3.	CV-9	999999 COUNTS	Normal Count	85V-265V AC / DC	No Relay Output	Rs.2925.00
4.	4896-I	0.001-9999 sec/min/hr	Interval	85V-265V AC/DC	1C/O, 5A @250V AC	Rs.3420.00
5.	4896-H	0.999999.9 hr	Hr.meter (No Reset)	85V-265V AC/DC	No Relay	Rs.3420.00
6.	4896-TC	0.001 sec -9999 hr & 0-9999 Counts	Timer: ON, IN, OFF, Cyclic / Counter: (N-Mode) Counter with Timer	85V-265V AC/DC	2C/O, 5A @250V AC	Rs.3546.00
7.	4896-T	0.001 sec - 9999 hr	ON, IN, OFF, F, CYCLIC	85V-265V AC/DC	2C/O, 5A @250V AC	Rs.3546.00
8.	4896-C	0.001 - 9999 Counts	N, F, C, K, Type Counting	85V - 265V AC /DC	2C/O, 5A @250V AC	Rs.3546.00
9.	4896-TT	0.9999999 Counts	N, F, C, K, Type Counting	85V - 265V AC /DC	2C/O, 5A @250V AC	Rs.3546.00



**1Ø AC VOLTMETER**

MODEL	TYPE NO.	INPUT RANGE	DISPLAY READING	ACCURACY	M.R.P. PRICE
AV101		0-200 MV	0-199.9 MV	<b>CLASS 0.5</b>	Rs.-1080.00/- Each
AV102		0-2V	0-1.999 V		
AV103		0-20V	0-19.99 V		
AV104		63.5(51.0-76.0)V	51.0-76.0V		
AV105		110(80-130)V	80.0-110.0V		
AV106		240(0-300)V	0-300V		
AV107		415(0-500)V	0-500 V		
AV108		1000(50-1000)V	50-1000V		

**PT INPUT-110V(80-130V)**

AV1 PT (Field settable)	1	1.1kv/110V 11kv/110V 110kv/110V	0.80-1.30kv 8.0-13.0kv 80-130kv	<b>CLASS 1.0</b>	Rs. 1080.00 /- Each
	2	2.2kv/110V 22kv/110V 220kv/110V	1.60-2.60kv 16.0-26.0kv 160-260kv		
	3	3.3kv/110V 33kv/110V	2.40-3.90kv 24.0-39.0kv		
	4	6.6kv/110V 66kv/110V	4.80-7.80kv 48.0-78.0kv		

**3Ø AC VOLTMETER**
**WITH AUTO / MANUAL SELECTION**

AV301		415V(330-470V) (3Ø-3 WIRE SYSTEM)	330-470V	<b>CLASS 1.0</b>	Rs.1764.00/- Each
AV302		240V(170-270V) (3Ø-4 WIRE SYSTEM)	170-270		

**PT INPUT-110V (80-130V)**

AV3PT (Field settable)	1	1.1kv/110V 11kv/110V 110kv/110V	0.80-1.30kv 8.0-13.0kv 80-130kv	<b>CLASS 1.0</b>	Rs.1764.00/- Each
	2	2.2kv/110V 22kv/110V 220kv/110V	1.60-2.60kv 16.0-26.0kv 160-260kv		
	3	3.3kv/110V 33kv/110V	2.40-3.90kv 24.0-39.0kv		
	4	6.6kv/110V 66kv/110V	4.80-7.80kv 48.0-78.0kv		

**AC AMMETER**

AA101		0-200 mA	0-200 mA	<b>CLASS 0.5</b>	Rs.1080.00 /- Each
AA102		0-2mA	0-2.00mA		
AA103		0-20mA	0-20.0mA		
AA104		0-200mA	0-200mA		
AA100		0-2A	0-2.00A		
AA105		0-30A	0-30.0A		

# **JAIBALAJI** ELECTRONIC DIGITAL METERS

## CT INPUT - 1A (0.05-1.2 A)

MODEL	TYPE NO.	INPUT RANGE	DISPLAY READING	ACCURACY	M.R.P. PRICE
AA1CT AA3CT (Field settable)	25	10A / 1A 100A / 1A	0.5-12.0A 5-120A	CLASS 1.0	AA1CT=Rs.1683/- Each AA3CT=Rs.1863/- Each
	26	12A / 1A 120A / 1A	0.6-14.4A 6-144A		
	27	15A / 1A 150A / 1A	0.7-18.0A 7-180A		
	28	16A / 1A 160A / 1A	0.8-19.2A 8-192A		
	29	20A / 1A 200A / 1A	1.0-24.0A 10-240A		
	30	25A / 1A 250A / 1A	1.2-30.0A 12-300A		
	31	30A / 1A 300A / 1A	1.5-36.0A 15-360A		
	32	40A / 1A 400A / 1A	2.0-48.0A 20-480A		
	33	50A / 1A 500A / 1A	2.5-60.0A 25-600A		
	34	60A / 1A 600A / 1A	3.0-72.0A 30-720A		
	35	70A / 1A 700A / 1A	3.5-84.0A 35-840A		
	36	80A / 1A 800A / 1A	4.0-96.0A 40-960A		

## CT INPUT -1A (0.05-1.2 A)

AA1CT & AA3CT	37	1.0 KA / 1A	0.5-12.0 KA	CLASS 1.0	AA1CT=Rs.1683/- Each AA3CT=Rs.1863/- Each
	38	1.2 KA / 1A	0.6-14.4 KA		
	39	1.5 KA / 1A	0.7-18.0 KA		
	40	1.6 KA / 1A	0.8-19.2 KA		
	41	2.0 KA / 1A	1.0-24.0 KA		
	42	2.5 KA / 1A	1.2-30.0 KA		
	43	3.0 KA / 1A	1.5-36.0 KA		
	44	4.0 KA / 1A	2.0-48.0 KA		
	45	5.0 KA / 1A	2.5-60.0 KA		
	46	6.0 KA / 1A	3.0-72.0 KA		
	47	7.0 KA / 1A	3.5-84.0 KA		
	48	8.0 KA / 1A	4.0-96.0 KA		

Note : AA1CT - 1Ø - Ammeter / AA3CT - 3Ø - Ammeter



# **JAIBALAJI ELECTRONIC DIGITAL METERS**

## FREQUENCY METER

AUX SUPPLY : 85V - 265V AC / DC

VRF 100		40-500V AC	20.0 - 99.9 Hz	CLASS 0.5	Rs.1080.00/- Each
---------	--	------------	----------------	-----------	-------------------

## DIGITAL PANEL METER

AUX SUPPLY : 230V AC (or) 110 AC

MODEL	TYPE NO.	INPUT RANGE	DISPLAY READING	ACCURACY	M.R.P. PRICE
MW 103	1	0-300 mV	0-300mw	CLASS 0.5	Rs.-1080.00/- Each
MW 103	2	0-10V DC	0-600	CLASS 1.0	Rs.-1080.00/- Each

## DC VOLTMETER

AUX SUPPLY : 230V AC (or) 110 AC  
(or) 85-265V AC (or) DC

MODEL	TYPE NO.	INPUT RANGE	DISPLAY READING	ACCURACY	M.R.P. PRICE
DV101		0 to $\pm$ 2 mV DC	0 to $\pm$ 19.99	CLASS 0.5	Rs.-1080.00/- Each
DV102		0 to $\pm$ 200 mV DC	0 to $\pm$ 199.9		
DV103		0 to $\pm$ 2V DC	0 to $\pm$ 1.999	CLASS 1.0	Rs.-1080.00/- Each
DV104		0 to $\pm$ 20V DC	0 to $\pm$ 19.99		
DV105		0 to $\pm$ 200V DC	0 to $\pm$ 199.9		
DV106		0 to $\pm$ 500V DC	0 to $\pm$ 500v		
DV107		0 to $\pm$ 1000V DC	0 to $\pm$ 1000v		

## DC AMMETER

MODEL	TYPE NO.	INPUT RANGE	DISPLAY READING	ACCURACY	M.R.P. PRICE
DA101		0 to $\pm$ 20 mA DC	0 to $\pm$ 20.0 mA	CLASS 0.5	Rs.-1080.00/- Each
DA102		0 to $\pm$ 2 mA DC	0 to $\pm$ 1.999 mA		
DA103		0 to $\pm$ 20 mA DC	0 to $\pm$ 19.99 mA		
DA104		0 to $\pm$ 200 mA DC	0 to $\pm$ 200 mA		
Dv105		0 to $\pm$ 2 A DC	0 to $\pm$ 1.999 A		
DA106		0 to $\pm$ 10 A DC	0 to $\pm$ 10.0 A		



**ELECTRONIC DIGITAL METERS**AUX SUPPLY : 240V AC (170-265) (or) 110V AC  
(or) 85-265V AC (or) DC**DC AMMETER-SHUNT INPUT (75mV)**

MODEL	TYPE NO.	SHUNT INPUT 75mV (5-90mV)	DISPLAY READING	ACCURACY	M.R.P. PRICE
DAST	1	a. 5A / 75 mV b. 50A / 75 mV c. 500A / 75 mV	a. 0.33 - 5.33A b. 3.3 - 53.3A c. 33 - 533A	CLASS 1.0	Rs.-1080.00/- Each
	2.	a. 10A / 75 mV b. 100A / 75 mV	a. 0.6 - 10.6A b. 6 - 106A		
	3.	a. 15A / 75 mV b. 150A / 75 mV	a. 1.0 - 16.0A b. 10 - 160A		
	4.	a. 20A / 75 mV b. 200A / 75 mV	a. 1.2 - 21.2A b. 12 - 212A		
	5.	a. 25A / 75 mV b. 250A / 75 mV	a. 1.6 - 26.6A b. 16 - 266A		
	6.	a. 30A / 75 mV b. 300A / 75 mV	a. 2.0 - 32.0A b. 20 - 320A		
	7.	a. 40A / 75 mV b. 400A / 75 mV	a. 2.6 - 48.0A b. 26.6 - 480A		
	8.	a. 60A / 75 mV b. 600A / 75 mV	a. 4.0 - 64.0A b. 40 - 640A		
	9.	a. 75A / 75 mV b. 750A / 75 mV	a. 5.0 - 80.0A b. 50 - 800A		

**DC AMMETER - SHUNT INPUT = 60mV (4-75mV)**

MODEL	TYPE NO.	INPUT RANGE	DISPLAY READING	ACCURACY	M.R.P. PRICE
DAST	10	a. 5A / 60 mV b. 50A / 60 mV c. 500A / 60 mV	a. 0.33 - 6.25A b. 3.3 - 62.5A c. 33 - 625A	CLASS 1.0	Rs.-1080.00/- Each
	11.	a. 10A / 60 mV b. 100A / 60 mV	a. 0.6 - 12.5A b. 6 - 125A		
	12.	a. 15A / 60 mV b. 150A / 60 mV	a. 1.0 - 18.7A b. 10 - 187A		
	13.	a. 20A / 60mV b. 200A / 60 mV	a. 1.3 - 25.0A b. 13 - 250A		
	14.	a. 25A / 60 mV b. 250A / 60 mV	a. 1.6 - 31.2A b. 16 - 312A		
	15.	a. 30A / 60mV b. 300A / 60 mV	a. 2.0 - 37.5A b. 20 - 375A		
	16.	a. 40A / 60mV b. 400A / 60 mV	a. 2.6 - 50.0A b. 26.6 - 500A		
	17.	a. 60A / 60 mV b. 600A / 60 mV	a. 4.0 - 75.0A b. 40 - 750A		
	18.	a. 75A / 60 mV b. 750A / 60 mV	a. 5.0 - 93.7A b. 50 - 937A		

NOTE :CLASS1.0 :+(0.5%FSD +0.5% OF READING CLASS 0.5 :+(0.25 FSD + 0.25% OF READING

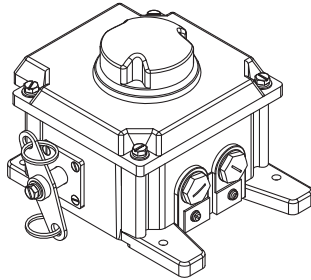
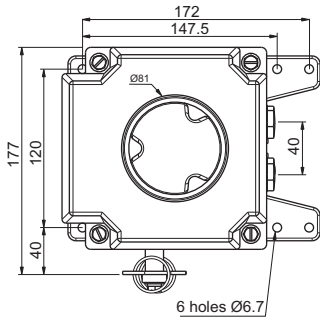
BOX SIZE : 96 x 48 x 125 mm CUTOUT SIZE : 90 x 45 mm

ELECTRONIC BUS BAR INDICATOR  
RED, YELLOW, BLUE OR GREEN, AMBER, WHITE (ANY THREE  
COLOURS)**M.R.P.**  
**RS.2097/-**  
**Each**



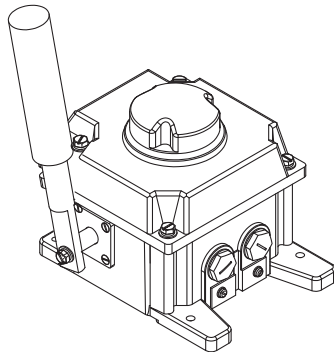
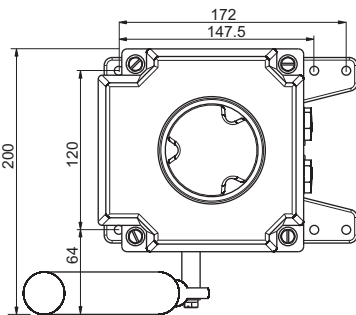
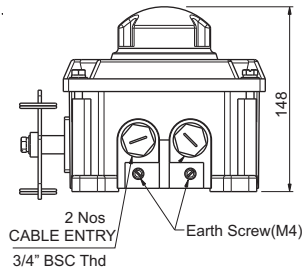
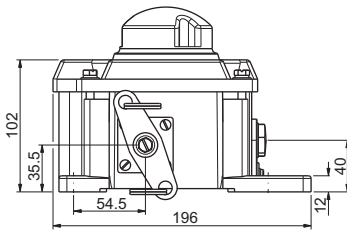


## PULL CORD & BELT SWAY SWITCHES AND HEAVY DUTY LIMIT SWITCH WITH INDICATOR CATALOGUE CUM PRICE LIST



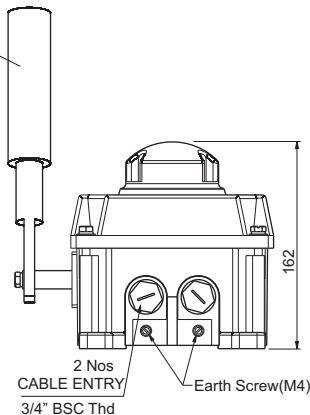
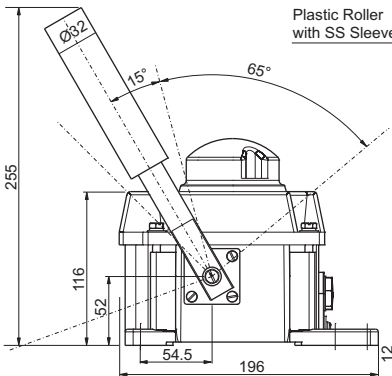
### PULL CORD SWITCH

MODEL	DESCRIPTION	M.R.P. Rs.
<b>JBRRV-9</b>	Heavy Duty Pull cord switch with Indicator (1NO+1NC) Normal Action	<b>2844</b>
<b>JBRRV-9 P</b>	Heavy Duty Pull cord switch without Indicator (1NO+1NC) Normal Action	<b>2790</b>
<b>JBRRV-18</b>	Heavy Duty Pull cord switch with Indicator (1NO+1NC) Snap Action	<b>3051</b>
<b>JBRRV-18 P</b>	Heavy Duty Pull cord switch without Indicator (1NO+1NC) Snap Action	<b>3006</b>
<b>JBRRV-27</b>	Heavy Duty Pull cord switch with Indicator (2NO+2NC) Snap Action	<b>3429</b>
<b>JBRRV-27 P</b>	Heavy Duty Pull cord switch without Indicator (2NO+2NC) Snap Action	<b>3366</b>

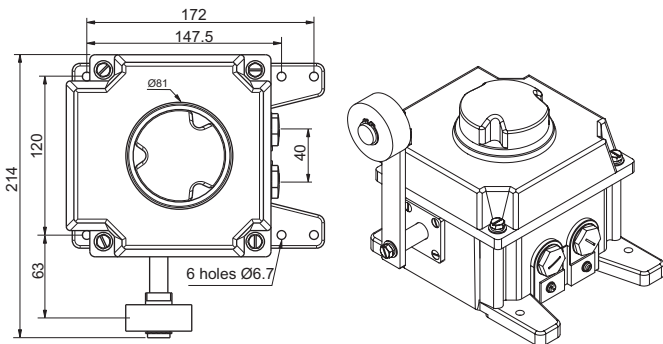


### BELT SWAY SWITCH

MODEL	DESCRIPTION	M.R.P. Rs.
<b>JBSMV-9</b>	Heavy Duty Belt sway switch with Indicator (1NO+1NC) Snap Action	<b>3195</b>
<b>JBSMV-9 P</b>	Heavy Duty Belt sway switch without Indicator (1NO+1NC) Snap Action	<b>3141</b>
<b>JBSMV-18</b>	Heavy Duty Belt sway switch with Indicator (2NO+2NC) Snap Action	<b>3681</b>
<b>JBSMV-18 P</b>	Heavy Duty Belt sway switch without Indicator (2NO+2NC) Snap Action	<b>3627</b>

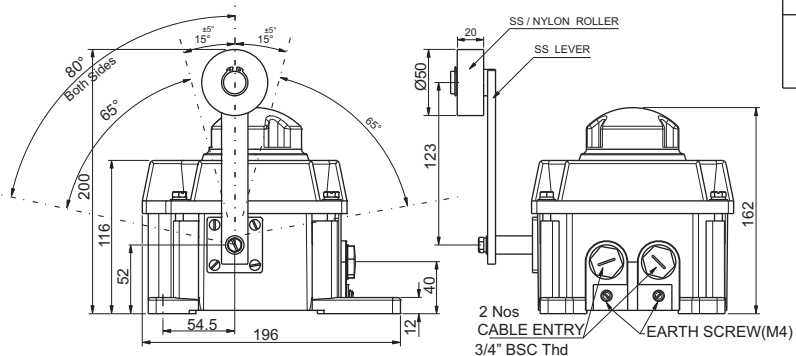


Post Box No. 27, 89 (New No. 107),SIDCO Industrial Estate,Ambattur, Chennai -600 098. India  
 Phone: +91 44 26251279 / 26257859 / 26254470 Fax: +91 44 26255038.  
 E-mail: dchandramohan@jaibalaji.firm.in Web: jaibalaji.in



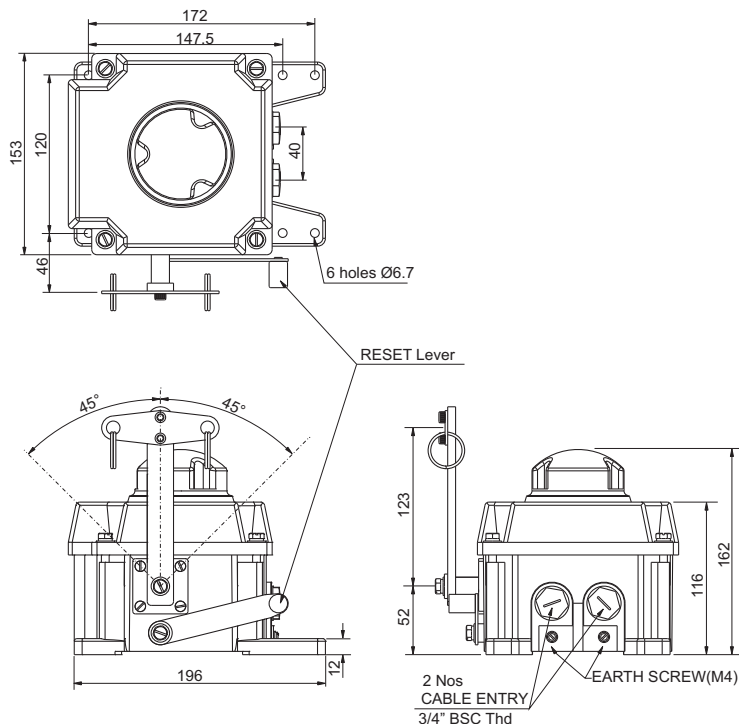
### HEAVY DUTY LIMIT SWITCH

MODEL	DESCRIPTION	M.R.P. Rs.
<b>JBSMV-36</b>	Heavy Duty Limit switch with Indicator (1NO+1NC) Snap Action	<b>2835</b>
<b>JBSMV-36 P</b>	Heavy Duty Limit switch without Indicator (1NO+1NC) Snap Action	<b>2790</b>
<b>JBSMV-45</b>	Heavy Duty Limit switch with Indicator (2NO+2NC) Snap Action	<b>3357</b>
<b>JBSMV-45 P</b>	Heavy Duty Limit switch without Indicator (2NO+2NC) Snap Action	<b>3312</b>



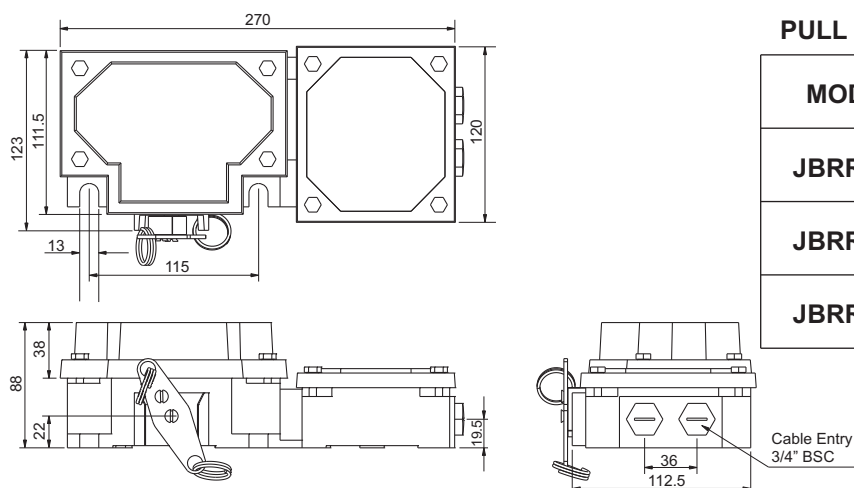
### HEAVY DUTY LIMIT SWITCH (MANUAL RESET)

MODEL	DESCRIPTION	M.R.P. Rs.
<b>JBSMV-72</b>	Heavy Duty Limit switch Manual Reset with Indicator (2NO+2NC) Snap Action	<b>4383</b>
<b>JBSMV-90</b>	Heavy Duty Limit switch Manual Reset with Indicator (1NO+1NC) Snap Action	<b>4131</b>



### PULL CORD SWITCH WITH TERMINAL BOX

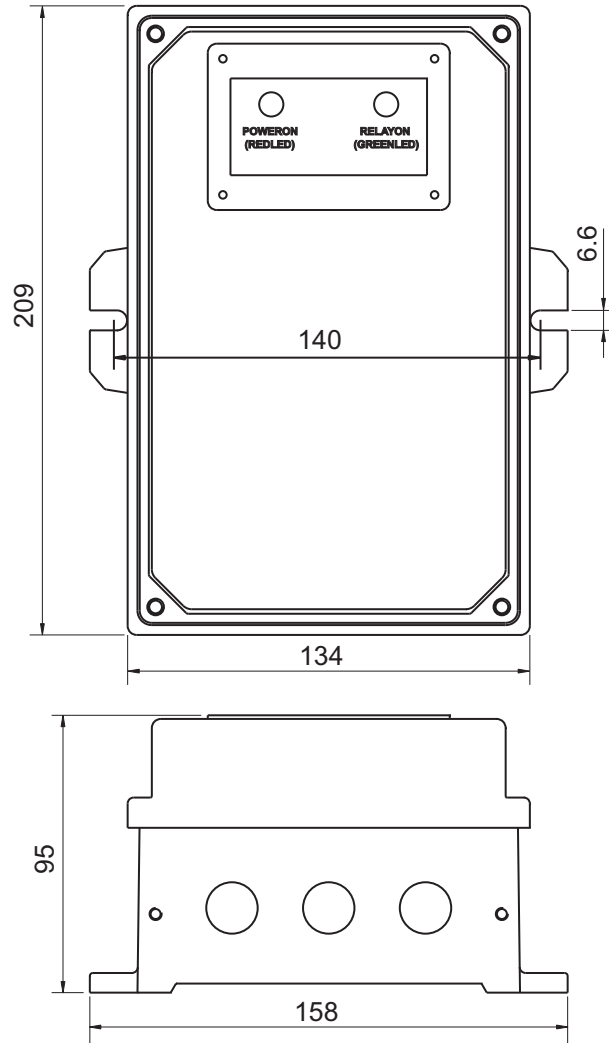
MODEL	DESCRIPTION	M.R.P. Rs.
<b>JBRRV-9TB</b>	Heavy Duty Pull cord switch with Terminal Box (1NO+1NC) Normal Action	<b>3222</b>
<b>JBRRV-18TB</b>	Heavy Duty Pull cord switch with Terminal Box (1NO+1NC) Snap Action	<b>3384</b>
<b>JBRRV-27TB</b>	Heavy Duty Pull cord switch with Terminal Box (2NO+2NC) Snap Action	<b>3627</b>



# **JAIBALAJI**

## **ZERO SPEED SWITCH**

### **CATALOGUE CUM PRICE LIST**



Model	RPM RANGE	MRP Rs..
<b>Model: JBZSS 10</b>	1-10RPM	<b>4257</b>
<b>Model: JBZSS 50</b>	5-50RPM	<b>4257</b>
<b>Model: JBZSS 100</b>	10-100RPM	<b>4257</b>
<b>Model: JBZSS 500</b>	50-500RPM	<b>4257</b>
<b>Model: JBZSS 1000</b>	100-1000RPM	<b>4257</b>
<b>Model: JBZSS 5000</b>	500-5000RPM	<b>4257</b>

**JAIBALAJI**  
CONTROL GEARS PVT. LTD

Post Box No. 27, 89 (New No. 107),SIDCO Industrial Estate,Ambattur, Chennai -600 098. India  
Phone: +91 44 26251279 / 26257859 / 26254470 Fax: +91 44 26255038.  
E-mail: dchandramohan@jaibalaji.firm.in Web: jaibalaji.in



## DODIA ELECTRICALS

Our Own Brand



### AUTOMATION BRAND



### SWITCHGEAR BRAND



Address : 9/11, Picket 'X' Road, G.T. Building, Lohar Chawl, Mumbai - 400002.

Email id : sales@dodiaelectricals.com    Whats App / Contact : +91 98338 24773 / 022-22064807

Visit us at : [www.dodiaelectricals.com](http://www.dodiaelectricals.com)